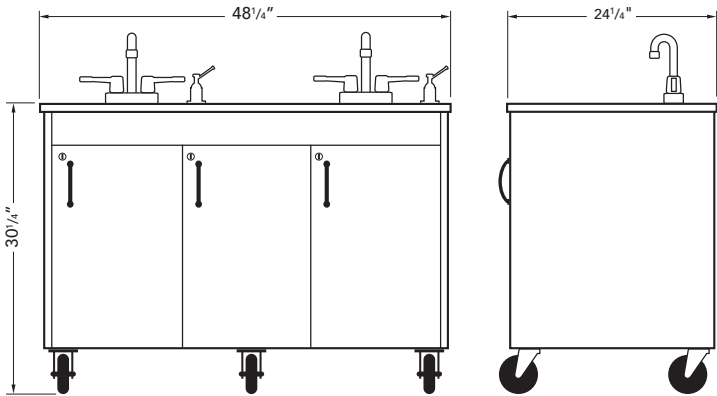


## LIL DELUX

Our Lil Delux self-contained, portable, hot water, handwashing station is made with those lil hands in mind. It's engineered specifically for consistent, point-of-contact hand hygiene in childcare environments and their, shall we say, smaller-sized needs. This one-stop, two-sink station is ideal for multiple visitors right after adventuring on the playground or before that snack time rush.

Double up with two separate hot water systems, single stainless sink basins, top-fill soap dispensers, and 5-gallons worth of hot water handwashing in each quick-connect tank. The durable laminate countertops are fit with rounded corners and ADA-compliant wrist action handles, making it quite the teacher's pet. Underneath, the lockable, three-door, maple cabinet keeps your hot water system secure from curious hands and ready to assist this out-of-the-box-ready sanitation savior.



### CHDXM-HD-SS1N

Model Name	Lil Delux
NSF Certified	Yes
LivingGreen Certified	Yes
SACERS Rating	12, 3.4, 5.1, 5.2
CARB 93120 Phase 2	Yes
Electrical Requirements	(2) 110V, 20A Dedicated Outlet and Breaker
On-Demand Hot Water	Approx. 40°F Above Water Temperature
GPM	0.50
Approx Handwashings	45-60 (5 gallon tank)
Product Dimensions	48.25"W x 24.25"D x 32vv.25"H
Product Weight	172 lbs.
Basin	Single Stainless Steel (2qty)
Basin Dimensions	12" W x 10" L x 5.75" D
Countertop Material	HDPE Plastic
Cabinet Material	Phthalate, Lead Free Millwork
Cabinet Color	Maple
Fresh Water Tank	5 Gallon Capacity, FDA Approved
Waste Water Tank	6 Gallon Capacity, FDA Approved
Faucet Style	ADA Compliant Wrist Action Handles
Door Lock	Keyless
Soap Dispenser	Liquid Only, Countertop Mount
Cabinet Wheels	5" Front Locking/Swivel Casters
Warranty	2 Year (see warranty for details)

#### Minimum Operating Requirements

- Each sink must use (2) grounded, dedicated 110V, 20A circuit breaker
- Sinks must be used on a dry, level indoor surface
- Extension cord must be 12/3, rated at 20A or higher
- Water must meet EPA standards (PH between 7.0 and 9.0)

- BEAUTY + WELLNESS
- EDUCATION + CLASSROOM
- FOOD SAFETY
- HEALTHCARE



**IMPORTANT!**  
Consult with your state and local environmental health official to confirm usage of portable sinks in place of plumbing.

GREATER NASHVILLE AREA  
call 1.866.663.1982  
OzarkRiver.com