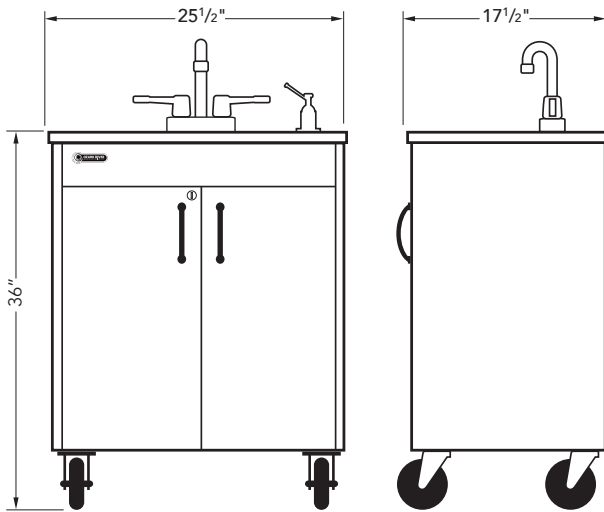


LIL PREMIER S1

Our Lil Premier S1 self-contained, portable, hot water, handwashing sink is the shining star of the classroom, not counting the children obviously. No installation is needed with this ready-to-go basined beauty featuring stainless steel countertops, a single stainless sink basin, top-fill soap dispenser, and ADA-compliant wrist action handles.

Standing up to whatever playtime has in store, this model has easy-to-clean surfaces from top to bottom and locking, maple cabinets holding quick-connect tanks with enough handwashing capability to go around, and then some.



CHSTM-SS-SS1N

Model Name	Lil Premier S1
NSF Certified	Yes
LivingGreen Certified	Yes
SACERS Rating	12, 3.4, 5.1, 5.2
CARB 93120 Phase 2	Yes
Electrical Requirements	110V, 20A Dedicated Outlet and Breaker
On-Demand Hot Water	Approx. 40°F Above Water Temperature
GPM	0.50
Approx Handwashings	45-60 (5 gallon tank)
Product Dimensions	25.5"W x 17.5"D x 32"H
Product Weight	88 lbs.
Basin	Single Stainless Steel
Basin Dimensions	12" W x 10" L x 5.75" D
Countertop Material	Stainless Steel
Cabinet Material	Phthalate, Lead Free Millwork
Cabinet Color	Maple
Fresh Water Tank	5 Gallon Capacity, FDA Approved
Waste Water Tank	6 Gallon Capacity, FDA Approved
Faucet Style	ADA Compliant Wrist Action Handles
Door Lock	Keyless
Soap Dispenser	Liquid Only, Countertop Mount
Cabinet Wheels	5" Front Locking/Swivel Casters
Warranty	2 Year (see warranty for details)

Minimum Operating Requirements

- Each sink must use a grounded, dedicated 110V, 20A circuit breaker
- Sinks must be used on a dry, level indoor surface
- Extension cord must be 12/3, rated at 20A or higher
- Water must meet EPA standards (PH between 7.0 and 9.0)

- BEAUTY + WELLNESS
- EDUCATION + CLASSROOM
- FOOD SAFETY
- HEALTHCARE



IMPORTANT!

Consult with your state and local environmental health official to confirm usage of portable sinks in place of plumbing.



GREATER NASHVILLE AREA

call 1.866.663.1982

OzarkRiver.com