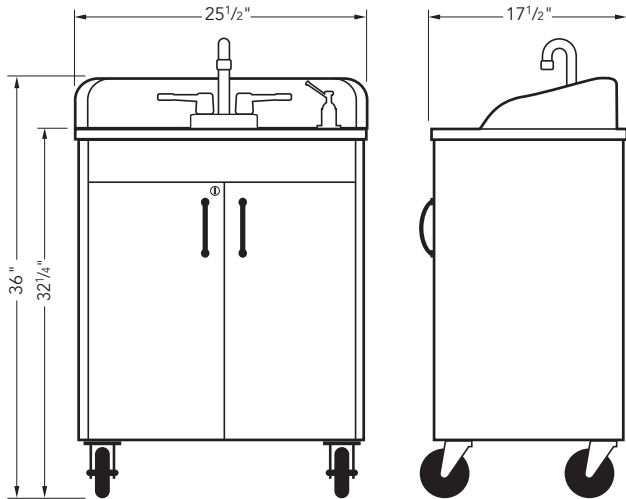


LIL SPLASHER

Our Lil Splasher self-contained, portable, hot water, handwashing sink is the perfectly petite, point-of-contact handwashing station that's out-of-the-box ready and goes wherever those little ones do. An easy-to-clean, one-piece, integrated ABS white single sink basin and countertop boast a built-in, top-fill soap dispenser, splashguard, and ADA-compliant wrist action handles.

Tougher than its child-friendly, lockable, blue cabinet doors and charming whale cartoon decal would have you believe, this helping hand lets you forget it's even there with each fresh water, quick-connect tank holding 5-gallons of hot water handwashings. Use naptime however you want because our time-saving, on-demand handwashing station won't be asking for much.



CHSTB-ABW-AB1N

Model Name	Lil Splasher
NSF Certified	Yes
LivingGreen Certified	Yes
SACERS Rating	12, 3.4, 5.1, 5.2
CARB 93120 Phase 2	Yes
Electrical Requirements	110V, 20A Dedicated Outlet and Breaker
On-Demand Hot Water	Approx. 40°F Above Water Temperature
GPM	0.50
Approx Handwashings	45-60 (5 gallon tank)
Product Dimensions	25.5"W x 17.5"D x 32"H
Product Weight	88 lbs.
Basin	Single Integrated ABS Plastic
Basin Dimensions	12" W x 10" L x 5.75" D
Countertop Material	White ABS Plastic
Cabinet Material	Phthalate, Lead Free Millwork
Cabinet Color	Blue
Fresh Water Tank	5 Gallon Capacity, FDA Approved
Waste Water Tank	6 Gallon Capacity, FDA Approved
Faucet Style	ADA Compliant Wrist Action Handles
Door Lock	Keyless
Soap Dispenser	Liquid Only, Countertop Mount
Cabinet Wheels	5" Front Locking/Swivel Casters
Warranty	2 Year (see warranty for details)

Minimum Operating Requirements

- Each sink must use a grounded, dedicated 110V, 20A circuit breaker
- Sinks must be used on a dry, level indoor surface
- Extension cord must be 12/3, rated at 20A or higher
- Water must meet EPA standards (PH between 7.0 and 9.0)

- BEAUTY + WELLNESS
- EDUCATION + CLASSROOM
- FOOD SAFETY
- HEALTHCARE



IMPORTANT!
Consult with your state and local environmental health official to confirm usage of portable sinks in place of plumbing.

GREATER NASHVILLE AREA
call 1.866.663.1982
OzarkRiver.com